

# Cover Interposer Tray Type 1075 (B470)

This parts catalog is includes MB No. 1 to 4

## Cover Interposer Ttay Type 1075 (B470)

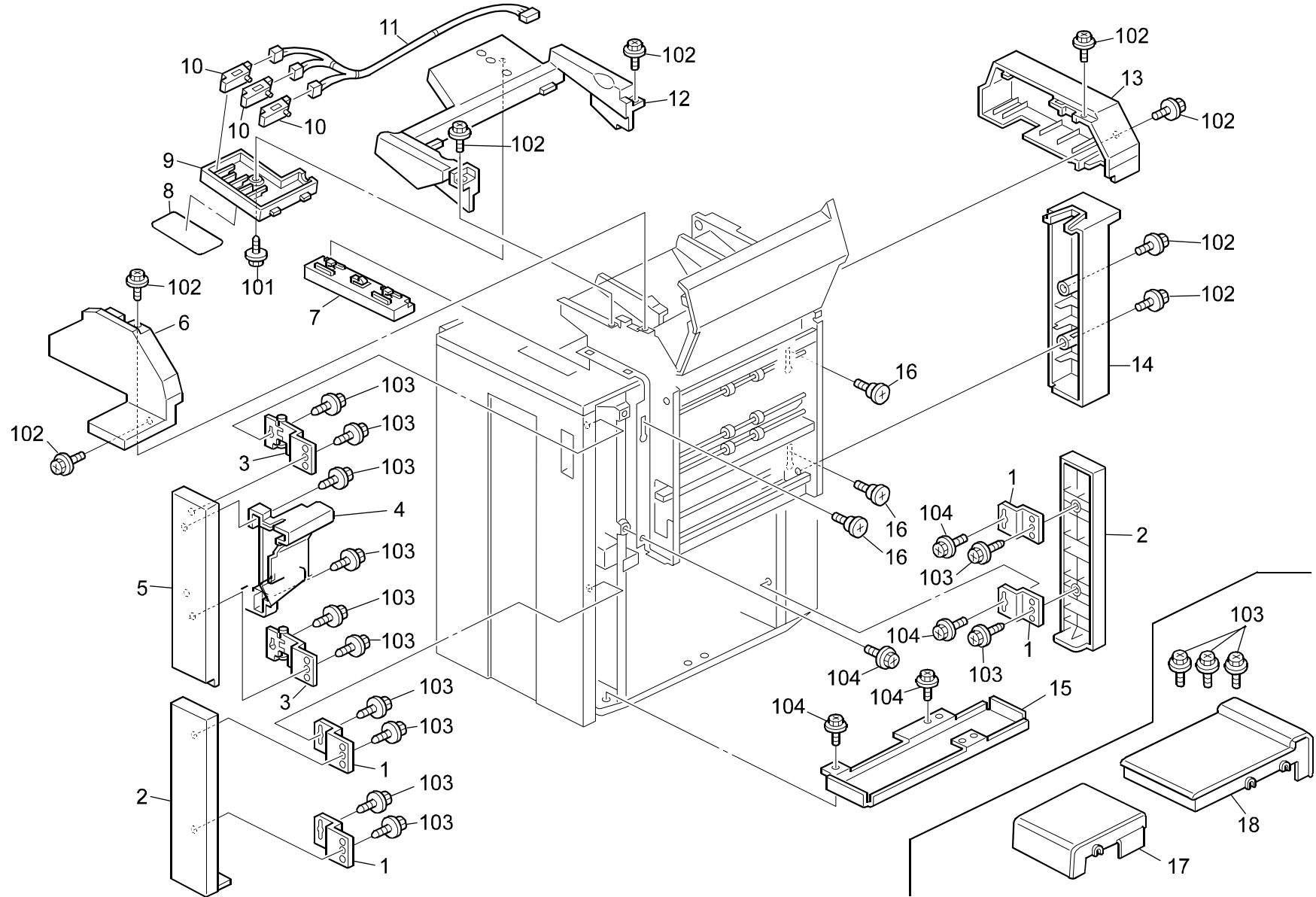
### PARTS CATALOG

This catalog gives the numbers and names of parts on this machine.

|                                     |           |
|-------------------------------------|-----------|
| 1.EXTERIOR (B470).....              | 2         |
| 2.ORIGINAL FEED 1 (B470) .....      | 4         |
| 3.ORIGINAL FEED 2 (B470) .....      | 6         |
| 4.ORIGINAL FEED 3 (B470) .....      | 8         |
| 5.TRANSPORT SECTION (B470).....     | 10        |
| 6.ELECTRICAL AND DRIVE (B470) ..... | 12        |
| 7.DECAL AND DOCUMENTS (B470) .....  | 14        |
| <b>PARTS INDEX.....</b>             | <b>17</b> |

August ,10 ' 2004

# 1.EXTERIOR (B470)

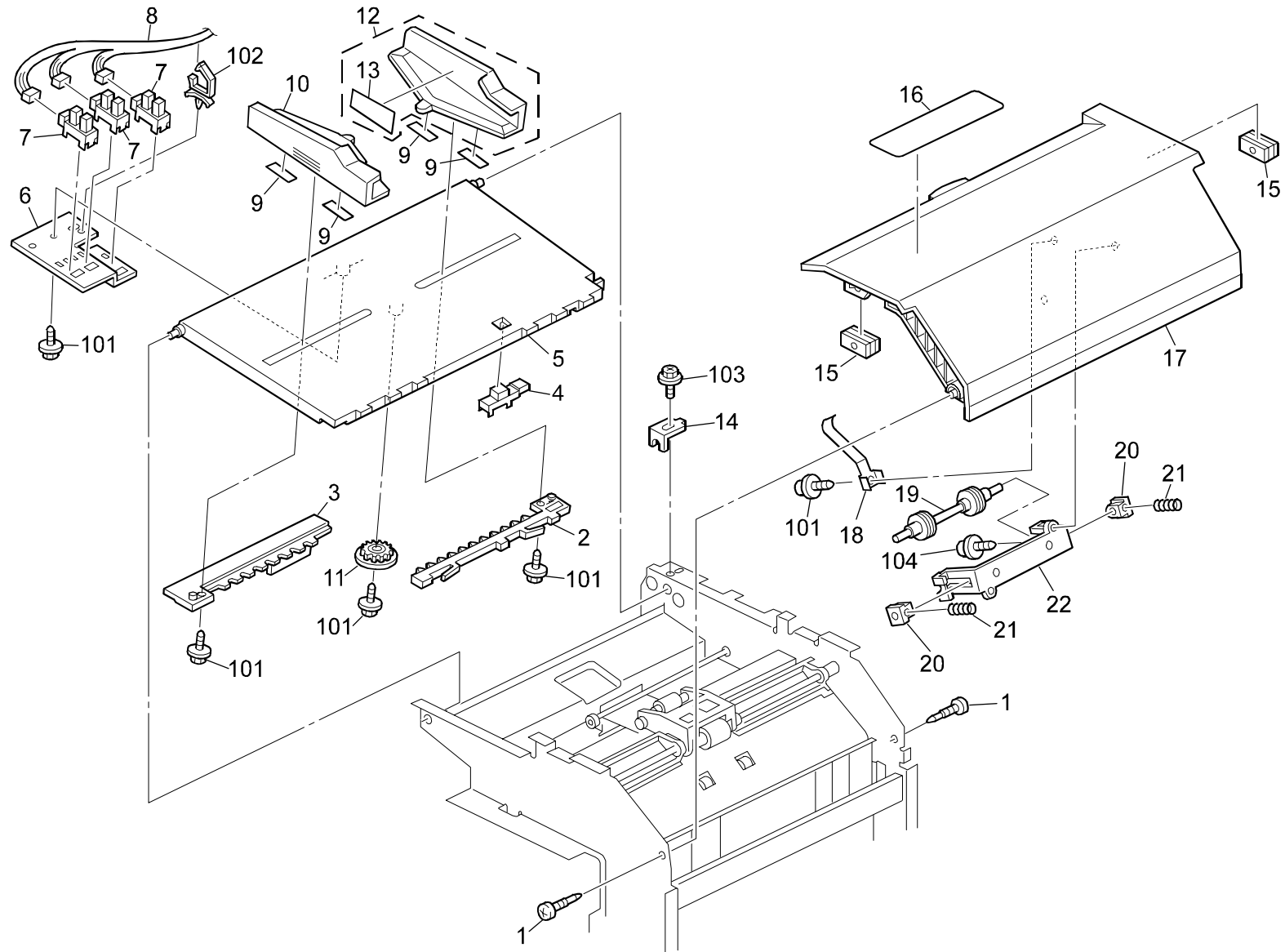


# 1.EXTERIOR (B470)

| Index No. | Part No.  | Description                     | Q'ty Per Assembly |
|-----------|-----------|---------------------------------|-------------------|
| 1         | B470 4572 | Lower Cover Bracket             | 4                 |
| 2         | B470 4571 | Lower Cover                     | 2                 |
| 3         | B470 4552 | Door Hinge                      | 2                 |
| 4         | B470 4557 | Door Stopper                    | 1                 |
| 5         | B470 4551 | Front Door                      | 1                 |
| 6         | B470 4531 | Upper Front Cover               | 1                 |
| 7         | B470 4591 | Spacer Cover                    | 1                 |
| 8         | B470 4523 | Decal - Paper Feed Table        | 1                 |
| 9         | B470 4522 | Paper Feed Table - Back         | 1                 |
| 10        | AW01 0087 | Photo Sensor - Ass'y            | 3                 |
| 11        | B470 5270 | Long Relay Harness - Paper Size | 1                 |
| 12        | B470 4521 | Paper Feed Table                | 1                 |
| 13        | B470 4541 | Upper Rear Cover                | 1                 |
| 14        | B470 4561 | Middle Rear Cover               | 1                 |
| 15        | B470 4581 | Base Cover                      | 1                 |
| 16        | AA14 3062 | Shoulder Screw - M4             | 3                 |
| 17        | B470 4596 | Right Front Spacer Cover        | 1                 |
| 18        | B470 4597 | Right Rear Spacer Cover         | 1                 |

| Index No. | Part No.   | Description          | Q'ty Per Assembly |
|-----------|------------|----------------------|-------------------|
| 101       | 0450 3008N | Tapping Screw - M3x8 |                   |
| 102       | 0451 3008N | Tapping Screw - M3x8 |                   |
| 103       | 0450 4008N | Tapping Screw - 4x8  |                   |
| 104       | 0451 3006N | Tapping Screw - M3x6 |                   |

## 2.ORIGINAL FEED 1 (B470)

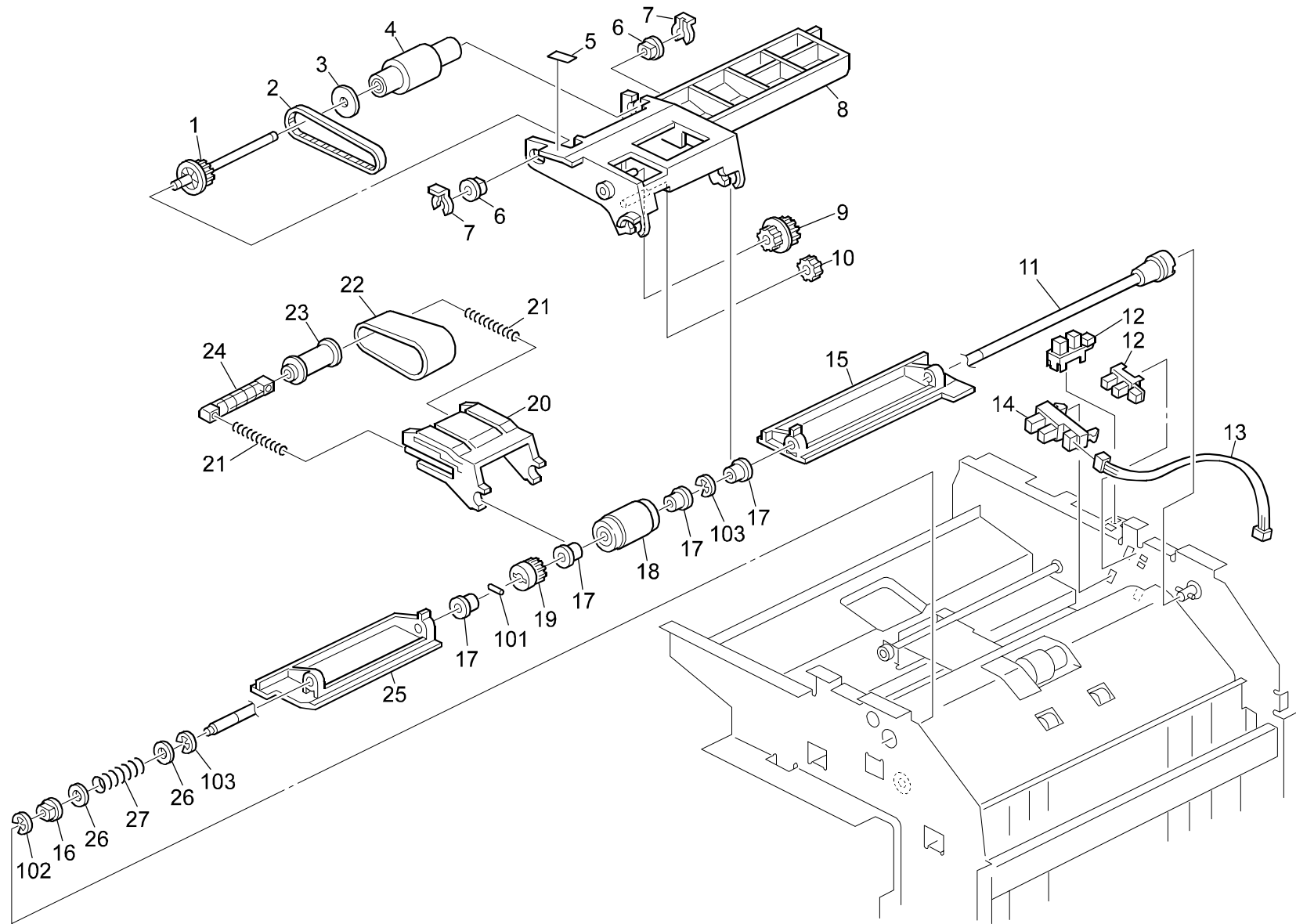


## 2.ORIGINAL FEED 1 (B470)

| Index No. | Part No.  | Description                | Q'ty Per Assembly |
|-----------|-----------|----------------------------|-------------------|
| 1         | 5446 2824 | Screw - Duplex Guide Plate | 2                 |
| 2         | B387 4661 | Front Rack - Side Fence    | 1                 |
| 3         | B470 2375 | Rear Rack                  | 1                 |
| 4         | AW01 0057 | Pegistration Sensor        | 1                 |
| 5         | B470 2372 | Base - Paper Feed Table    | 1                 |
| 6         | B470 2377 | Sensor Bracket             | 1                 |
| 7         | AW02 0086 | Photointerruptor           | 3                 |
| 8         | B470 5260 | Relay Harness - Paper Size | 1                 |
| 9         | B387 4646 | Side Fence Pad             | 4                 |
| 10        | B470 2373 | Front Side Fence           | 1                 |
| 11        | A859 4665 | Gear - 16Z                 | 1                 |
| 12        | B470 2365 | Rear Side Fence            | 1                 |
| 13        | B470 7101 | Decal - Side Fence         | 1                 |
| 14        | B470 2378 | Original Table Holder      | 1                 |
| 15        | AG07 0014 | Magnet Catch               | 2                 |
| 16        | B470 7104 | Decal - Misfeed Removal    | 1                 |
| 17        | B470 4511 | Cover - Paper Feed         | 1                 |
| 18        | B470 4515 | Pressure Plate             | 1                 |
| 19        | AF02 2106 | Driven Roller              | 1                 |
| 20        | AA08 0242 | Bushing - 4mm              | 2                 |
| 21        | B470 4514 | Compression Spring         | 2                 |
| 22        | B470 4513 | Roller Bracket             | 1                 |

| Index No. | Part No.   | Description                | Q'ty Per Assembly |
|-----------|------------|----------------------------|-------------------|
| 101       | 0450 3008N | Tapping Screw - M3x8       |                   |
| 102       | 1105 0511  | Harness Clamp - LWS-0306ZC |                   |
| 103       | 0451 3006N | Tapping Screw - M3x6       |                   |
| 104       | 0450 4008N | Tapping Screw - 4x8        |                   |

### 3.ORIGINAL FEED 2 (B470)



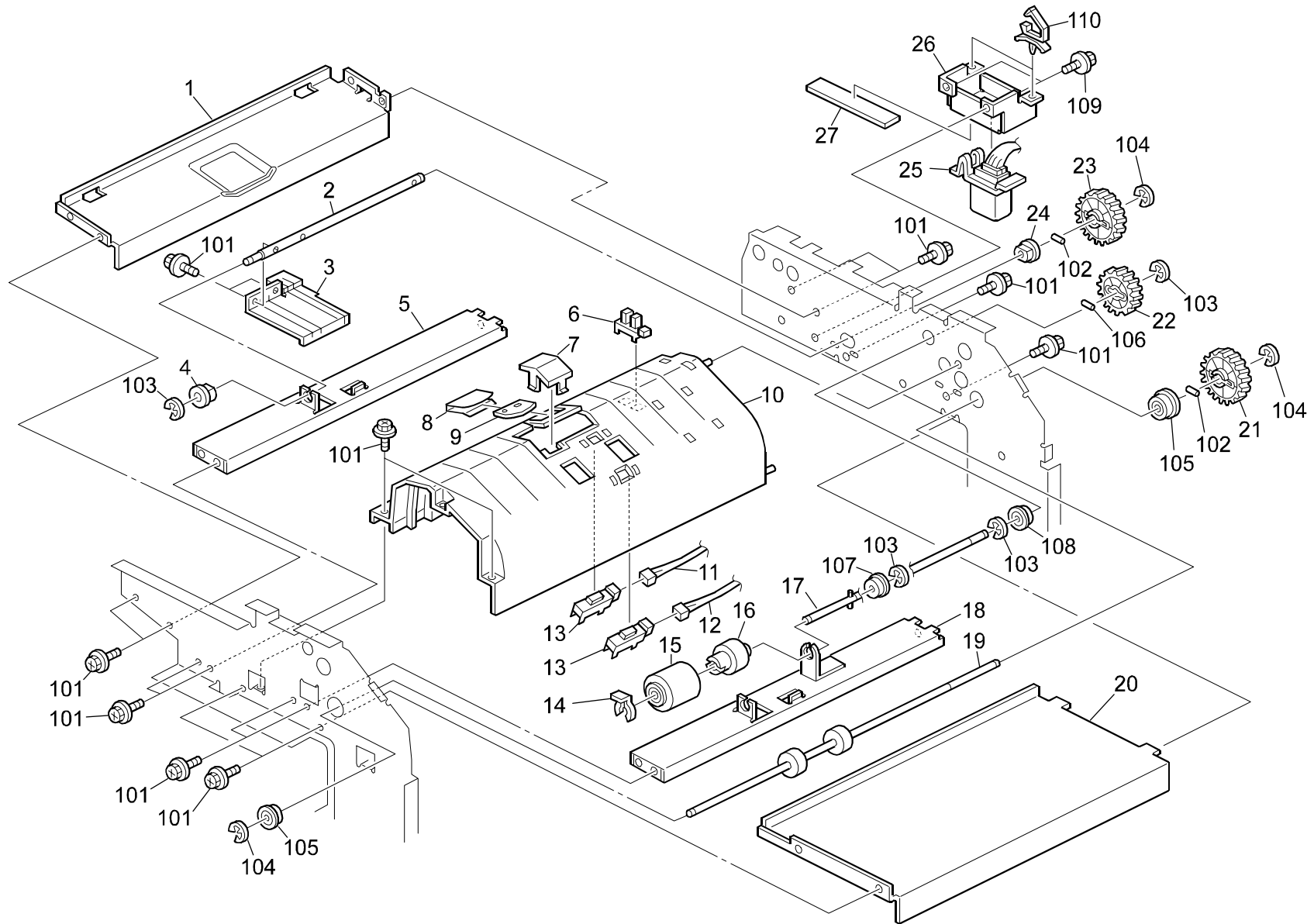
### 3.ORIGINAL FEED 2 (B470)

| Index No. | Part No.         | Description                      | Q'ty Per Assembly |
|-----------|------------------|----------------------------------|-------------------|
| 1         | A806 2153        | Timing Pulley - T27 S2M          | 1                 |
| 2         | A806 4118        | Timing Belt - B40S2M148          | 1                 |
| 3         | AA13 2171        | Spacer - 6x20x1                  | 1                 |
| 4         | <b>A806 1321</b> | <b>Pickup Roller</b>             | <b>1</b>          |
| 5         | A858 6022        | Decal Blue                       | 1                 |
| 6         | 5053 0447        | Bushing - 6mm                    | 2                 |
| 7         | 5447 2681        | Snap Ring                        | 2                 |
| 8         | B470 2261        | Pick-up Roller Bracket           | 1                 |
| 9         | A806 2151        | Timing Pulley - T19/Z23 S2M/M0.6 | 1                 |
| 10        | A806 2271        | Gear - Z18                       | 1                 |
| 11        | B470 2211        | Drive Shaft                      | 1                 |
| 12        | AW02 0086        | Photointerruptor                 | 2                 |
| 13        | B470 5281        | Harness - Paper Near End         | 1                 |
|           | B470 5280        | X/O MB2                          |                   |
| 14        | AW02 0006        | Photointerruptor - EE-SX460-P2   | 1                 |
| 15        | B470 2214        | Entrance Guide Plate             | 1                 |
| 16        | 5304 1639        | Bushing - 8mm                    | 1                 |
| 17        | A628 1225        | Bushing - 8mm                    | 4                 |
| 18        | A806 1293        | Feed Belt Drive Roller           | 1                 |
| 19        | B470 2212        | Drive Gear - Pick-up             | 1                 |
| 20        | A806 1292        | Feed Belt Bracket                | 1                 |
| 21        | A806 4261        | Spring Belt Guide Roller         | 2                 |
| 22        | <b>A806 1295</b> | <b>Feed Belt</b>                 | <b>1</b>          |
| 23        | A806 1294        | Feed Belt Driven Roller          | 1                 |
| 24        | A806 1298        | Transport Belt Roller Shaft      | 1                 |
| 25        | B470 2213        | Entrance Guide Plate             | 1                 |
| 26        | AA13 2013        | Spacer                           | 2                 |
| 27        | AA06 3315        | Spring - Belt Drive Shaft        | 1                 |

| Index No. | Part No.   | Description         | Q'ty Per Assembly |
|-----------|------------|---------------------|-------------------|
| 101       | 0632 0120G | Parallel Pin - 2x12 |                   |
| 102       | 0720 0040E | Retaining Ring - M4 |                   |
| 103       | 0720 0060E | Retaining Ring - M6 |                   |



# 4.ORIGINAL FEED 3 (B470)

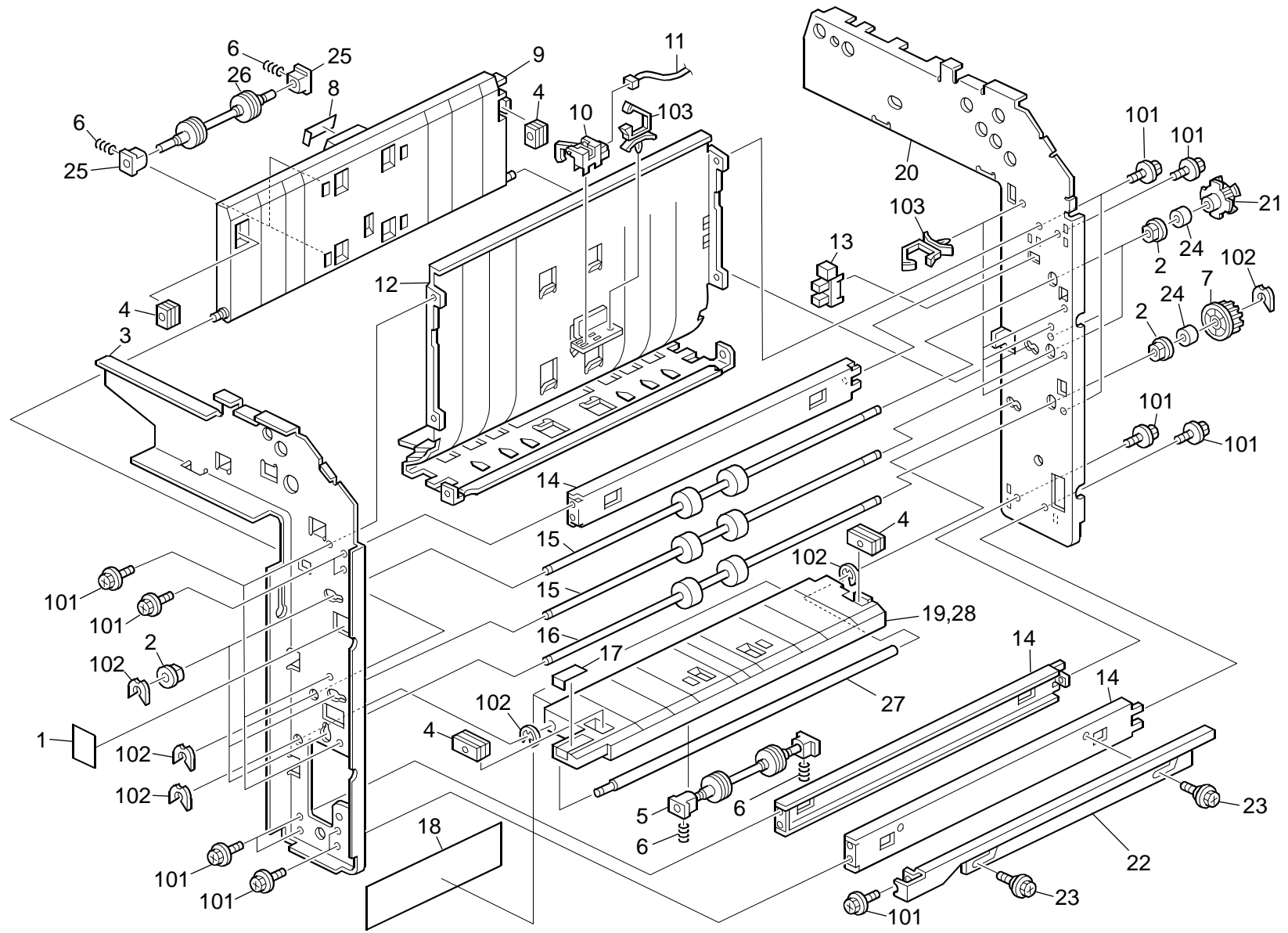


#### 4.ORIGINAL FEED 3 (B470)

| Index No. | Part No.         | Description                | Q'ty Per Assembly |
|-----------|------------------|----------------------------|-------------------|
| 1         | B470 1511        | Left Stay                  | 1                 |
| 2         | B470 2321        | Base Shaft                 | 1                 |
| 3         | A806 1342        | Base Lever                 | 1                 |
| 4         | 5053 0447        | Bushing - 6mm              | 1                 |
| 5         | B470 1621        | Stay - Reverse Roller      | 1                 |
| 6         | AW02 0086        | Photointerruptor           | 1                 |
| 7         | B470 2112        | Upper Guide Plate          | 1                 |
| 8         | B470 2113        | Separation Pad Holder      | 1                 |
| 9         | B301 1155        | Separation Support Pad     | 1                 |
| 10        | B470 2111        | Guide Plate - Paper Feed   | 1                 |
| 11        | B470 5230        | Relay Harness              | 1                 |
| 12        | B470 5240        | Relay Harness              | 1                 |
| 13        | AW01 0057        | Pegistration Sensor        | 2                 |
| 14        | 5447 2681        | Snap Ring                  | 1                 |
| 15        | <b>A859 2241</b> | <b>Reverse Roller</b>      | <b>1</b>          |
| 16        | A294 6700        | Torque Limiter - 53mnm     | 1                 |
|           | A247 2900        | O/O MB4                    |                   |
| 17        | B470 3141        | Reverse Roller Shaft       | 1                 |
| 18        | B470 1710        | Stay - Reverse Roller      | 1                 |
| 19        | B470 2511        | Drive Roller               | 1                 |
| 20        | B470 1811        | Base Frame                 | 1                 |
| 21        | B470 3151        | Gear - 36Z                 | 1                 |
| 22        | B301 2221        | Gear - 31Z                 | 1                 |
| 23        | A806 2281        | Gear - Z47                 | 1                 |
| 24        | 5304 1639        | Bushing - 8mm              | 1                 |
| 25        | B470 5200        | Interface Harness          | 1                 |
| 26        | B470 5170        | Connector Bracket          | 1                 |
| 27        | B470 5165        | Gasket - Connector Bracket | 1                 |

| Index No. | Part No.   | Description                      | Q'ty Per Assembly |
|-----------|------------|----------------------------------|-------------------|
| 101       | 0451 3006N | Tapping Screw - M3x6             |                   |
| 102       | 0632 0140G | Parallel Pin                     |                   |
| 103       | 0720 0040E | Retaining Ring - M4              |                   |
| 104       | 0720 0060E | Retaining Ring - M6              |                   |
| 105       | 0741 3808  | Ball Bearing - 8x16x5mm          |                   |
| 106       | 0632 0120G | Parallel Pin - 2x12              |                   |
| 107       | 0741 3706  | Ball Bearing - 6x10x3            |                   |
| 108       | 0741 3506  | Ball Bearing - 6x12x4 mm         |                   |
| 109       | 0802 5276  | Tapping Screw With Washer - M3x6 |                   |
| 110       | 1105 0516  | Clamp                            |                   |

# 5. TRANSPORT SECTION (B470)

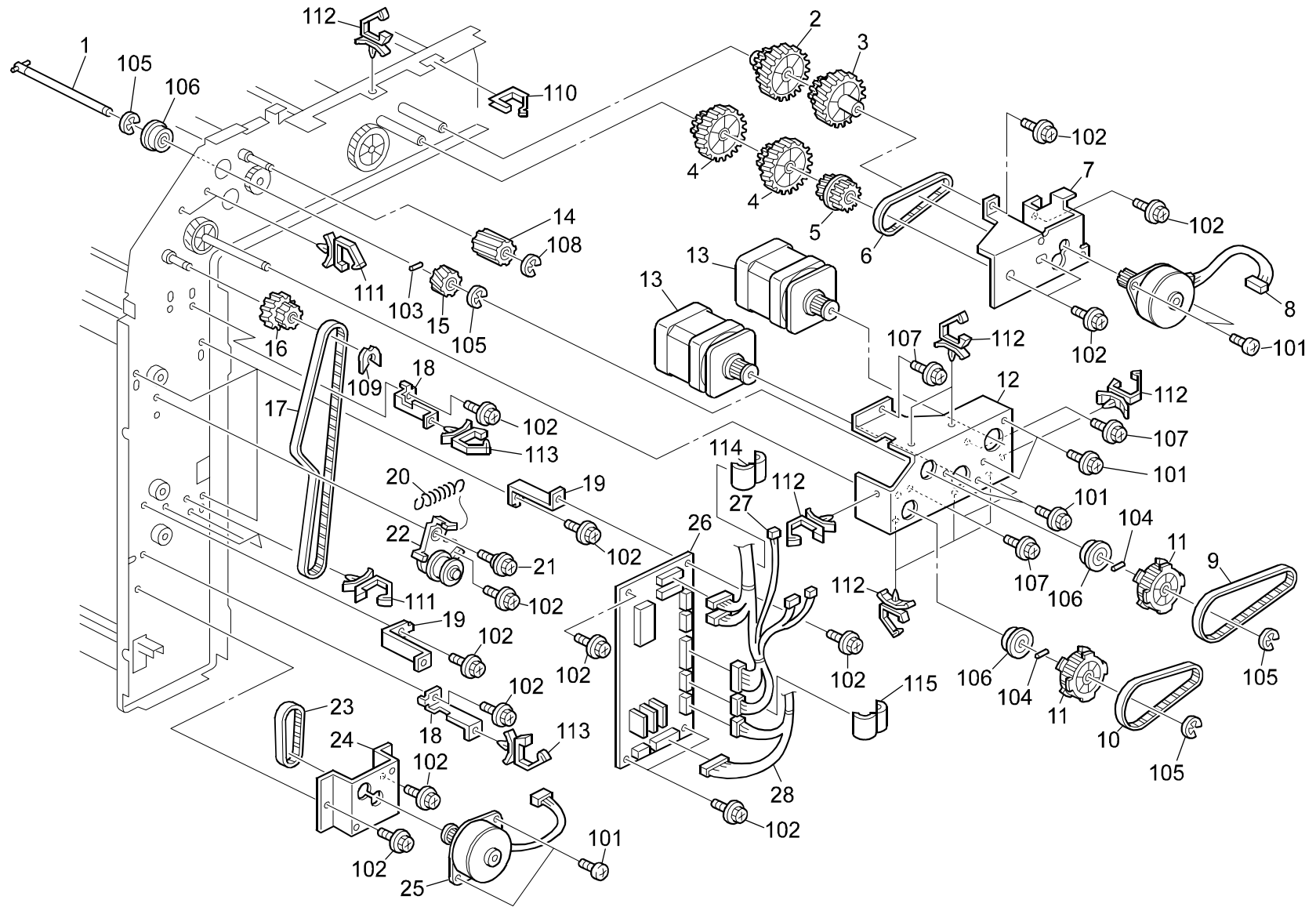


## 5. TRANSPORT SECTION (B470)

| Index No. | Part No.  | Description                        | Q'ty Per Assembly |
|-----------|-----------|------------------------------------|-------------------|
| 1         | B470 7105 | Decal - Misfeed Removal            | 1                 |
| 2         | 5053 0447 | Bushing - 6mm                      | 6                 |
| 3         | B470 1111 | Front Side Plate                   | 1                 |
| 4         | AG07 0014 | Magnet Catch                       | 4                 |
| 5         | AF02 2147 | Driven Roller                      | 1                 |
| 6         | AA06 3529 | Pressure Spring - 14.5mm           | 6                 |
| 7         | GB03 0032 | Timing Pulley - T28-S2M            | 1                 |
| 8         | B470 7102 | Decal - Q1                         | 1                 |
| 9         | B470 4311 | Guide Plate                        | 1                 |
| 10        | AW02 0095 | Photointerruptor                   | 1                 |
| 11        | B470 5250 | Relay Harness                      | 1                 |
| 12        | B470 4112 | Guide Plate - Vertical Transport   | 1                 |
| 13        | AW02 0086 | Photointerruptor                   | 1                 |
| 14        | B408 1413 | Coupling Stay                      | 3                 |
| 15        | B352 2620 | Lower Transport Roller             | 2                 |
| 16        | AF02 0501 | Transport Roller                   | 1                 |
| 17        | B470 7103 | Decal - Q2                         | 1                 |
| 18        | B470 4225 | Guide Plate Myler                  | 2                 |
| 19        | B470 4223 | Side Guide Plate MB3 DELETED       | 1                 |
| 20        | B470 1121 | Rear Side Plate                    | 1                 |
| 21        | B352 1607 | Timing Pulley - T20-S3M            | 2                 |
| 22        | A697 1128 | Joint Lever                        | 1                 |
| 23        | A697 1125 | Stepped Screw - Lever              | 2                 |
| 24        | A376 1295 | Spacer - M6x10x5                   | 3                 |
| 25        | AA08 0242 | Bushing - 4mm                      | 4                 |
| 26        | AF02 2106 | Driven Roller                      | 2                 |
| 27        | B470 4232 | Shaft - Side Guide Plate MB3 ADDED | 1                 |
| 28        | B470 4231 | Side Guide Plate MB3 ADDED         | 1                 |

| Index No. | Part No.   | Description                | Q'ty Per Assembly |
|-----------|------------|----------------------------|-------------------|
| 101       | 0451 3006N | Tapping Screw - M3x6       |                   |
| 102       | 0805 0089  | Retaining Ring - M4        |                   |
| 103       | 1105 0511  | Harness Clamp - LWS-0306ZC |                   |

## 6.ELECTRICAL AND DRIVE (B470)

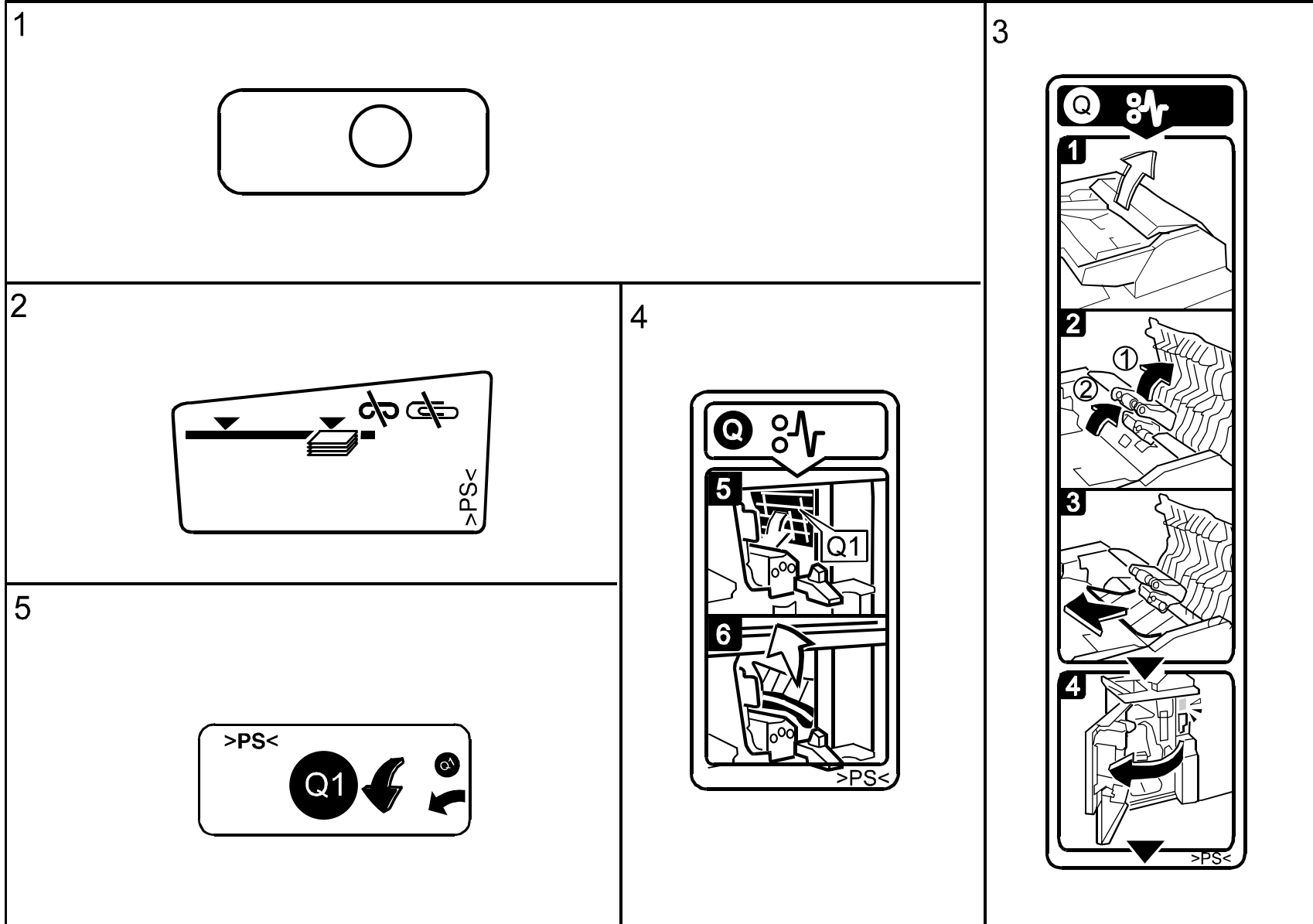


## 6.ELECTRICAL AND DRIVE (B470)

| Index No. | Part No.  | Description                  | Q'ty Per Assembly |
|-----------|-----------|------------------------------|-------------------|
| 1         | B470 3131 | Drive Shaft                  | 1                 |
| 2         | A806 2285 | Gear - Z20/Z47               | 1                 |
| 3         | A806 2287 | Gear - Z20/Z47               | 1                 |
| 4         | A806 2283 | Gear - Z20/Z47               | 2                 |
| 5         | B470 2351 | Timing Pulley - T30/Z20      | 1                 |
| 6         | A806 4117 | Timing Belt - B40S2M158      | 1                 |
| 7         | A806 2362 | Base Bracket                 | 1                 |
| 8         | A806 2911 | Stepper Motor Ass'y - DC 13W | 1                 |
| 9         | B470 3161 | Timing Belt - B40S2M224      | 1                 |
| 10        | B470 3171 | Timing Belt - B40S2M176      | 1                 |
| 11        | B470 3133 | Timing Pulley - T48S2M       | 2                 |
| 12        | B470 3181 | Drive Bracket                | 1                 |
| 13        | B470 5510 | Stepper Motor - Paper Feed   | 2                 |
| 14        | B301 2222 | Gear - 20Z                   | 1                 |
| 15        | B470 3134 | Gear - 23Z                   | 1                 |
| 16        | B470 3211 | Idler Pulley - T20/Z30       | 1                 |
| 17        | B470 3250 | Timing Belt - B40S3M456      | 1                 |
| 18        | A300 3151 | Support Bracket              | 2                 |
| 19        | B470 5301 | Base Bracket                 | 4                 |
| 20        | 5442 4121 | Spring - Oil Blade           | 1                 |
| 21        | A697 1125 | Stepped Screw - Lever        | 1                 |
| 22        | B312 1605 | Tightener                    | 1                 |
| 23        | B470 3322 | Timing Belt - B40S2M146      | 1                 |
| 24        | B312 1524 | Motor Bracket                | 1                 |
| 25        | B470 5500 | Stepper Motor                | 1                 |
| 26        | B470 5121 | Main Control Board           | 1                 |
|           | B470 5120 | X/O MB1                      |                   |
| 27        | B470 5222 | Main Sensor Harness          | 1                 |
|           | B470 5220 | X/O MB2                      |                   |
| 28        | B470 5210 | Main Motor Harness           | 1                 |

| Index No. | Part No.   | Description                      | Q'ty Per Assembly |
|-----------|------------|----------------------------------|-------------------|
| 101       | 0453 3006N | Tapping Screw - M3x6             |                   |
| 102       | 0451 3006N | Tapping Screw - M3x6             |                   |
| 103       | 0632 0120G | Parallel Pin - 2x12              |                   |
| 104       | 0632 0140G | Parallel Pin                     |                   |
| 105       | 0720 0060E | Retaining Ring - M6              |                   |
| 106       | 0741 3808  | Ball Bearing - 8x16x5mm          |                   |
| 107       | 0802 5276  | Tapping Screw With Washer - M3x6 |                   |
| 108       | 0720 0040E | Retaining Ring - M4              |                   |
| 109       | 0805 0089  | Retaining Ring - M4              |                   |
| 110       | 1105 0518  | Edge Saddle - LES-1010           |                   |
| 111       | 1105 0511  | Harness Clamp - LWS-0306ZC       |                   |
| 112       | 1105 0516  | Clamp                            |                   |
| 113       | 1105 0489  | Harness Clamp - LWS 1316         |                   |
| 114       | 1607 0704  | Ferrite Core - ESD-SR-25         |                   |
| 115       | 1607 0623  | Ferrite Core TFC16-8-13          |                   |

# 7.DECAL AND DOCUMENTS (B470)



## 7.DECAL AND DOCUMENTS (B470)

| Index No. | Part No.  | Description              | Q'ty Per Assembly |
|-----------|-----------|--------------------------|-------------------|
| 1         | B470 4523 | Decal - Paper Feed Table | 1                 |
| 2         | B470 7101 | Decal - Side Fence       | 1                 |
| 3         | B470 7104 | Decal - Misfeed Removal  | 1                 |
| 4         | B470 7105 | Decal - Misfeed Removal  | 1                 |
| 5         | B470 7102 | Decal - Q1               | 1                 |

| Index No. | Part No. | Description | Q'ty Per Assembly |
|-----------|----------|-------------|-------------------|
|           |          |             |                   |



# Parts Index

## PM Parts Index

| Section Name             | Part No.  | Description in Service Manual | Description in Parts Catalog | Q'ty Per Assembly | Page and Index No. |
|--------------------------|-----------|-------------------------------|------------------------------|-------------------|--------------------|
| 3.ORIGINAL FEED 2 (B470) | A806 1321 | Pick-up Roller                | Pickup Roller                | 1                 | 7- 4               |
|                          | A806 1295 | Feed Belt                     | Feed Belt                    | 1                 | 7- 22              |
| 4.ORIGINAL FEED 3 (B470) | A859 2241 | Separation Roller             | Reverse Roller               | 1                 | 9- 15              |

## Parts Index

| Part No.  | Description                      | Page and Index No. |
|-----------|----------------------------------|--------------------|
| B470 1111 | Front Side Plate                 | 11 - 3             |
| B470 1121 | Rear Side Plate                  | 11 - 20            |
| B470 1511 | Left Stay                        | 9 - 1              |
| B470 1621 | Stay - Reverse Roller            | 9 - 5              |
| B470 1710 | Stay - Reverse Roller            | 9 - 18             |
| B470 1811 | Base Frame                       | 9 - 20             |
| B470 2111 | Guide Plate - Paper Feed         | 9 - 10             |
| B470 2112 | Upper Guide Plate                | 9 - 7              |
| B470 2113 | Separation Pad Holder            | 9 - 8              |
| B470 2211 | Drive Shaft                      | 7 - 11             |
| B470 2212 | Drive Gear - Pick-up             | 7 - 19             |
| B470 2213 | Entrance Guide Plate             | 7 - 25             |
| B470 2214 | Entrance Guide Plate             | 7 - 15             |
| B470 2261 | Pick-up Roller Bracket           | 7 - 8              |
| B470 2321 | Base Shaft                       | 9 - 2              |
| B470 2351 | Timing Pulley - T30/Z20          | 13 - 5             |
| B470 2365 | Rear Side Fence                  | 5 - 12             |
| B470 2372 | Base - Paper Feed Table          | 5 - 5              |
| B470 2373 | Front Side Fence                 | 5 - 10             |
| B470 2375 | Rear Rack                        | 5 - 3              |
| B470 2377 | Sensor Bracket                   | 5 - 6              |
| B470 2378 | Original Table Holder            | 5 - 14             |
| B470 2511 | Drive Roller                     | 9 - 19             |
| B470 3131 | Drive Shaft                      | 13 - 1             |
| B470 3133 | Timing Pulley - T48S2M           | 13 - 11            |
| B470 3134 | Gear - 23Z                       | 13 - 15            |
| B470 3141 | Reverse Roller Shaft             | 9 - 17             |
| B470 3151 | Gear - 36Z                       | 9 - 21             |
| B470 3161 | Timing Belt - B40S2M224          | 13 - 9             |
| B470 3171 | Timing Belt - B40S2M176          | 13 - 10            |
| B470 3181 | Drive Bracket                    | 13 - 12            |
| B470 3211 | Idler Pulley - T20/Z30           | 13 - 16            |
| B470 3250 | Timing Belt - B40S3M456          | 13 - 17            |
| B470 3322 | Timing Belt - B40S2M146          | 13 - 23            |
| B470 4112 | Guide Plate - Vertical Transport | 11 - 12            |

| Part No.  | Description                        | Page and Index No. |
|-----------|------------------------------------|--------------------|
| B470 4223 | Side Guide Plate MB3 DELETED       | 11 - 19            |
| B470 4225 | Guide Plate Myler                  | 11 - 18            |
| B470 4231 | Side Guide Plate MB3 ADDED         | 11 - 28            |
| B470 4232 | Shaft - Side Guide Plate MB3 ADDED | 11 - 27            |
| B470 4311 | Guide Plate                        | 11 - 9             |
| B470 4511 | Cover - Paper Feed                 | 5 - 17             |
| B470 4513 | Roller Bracket                     | 5 - 22             |
| B470 4514 | Compression Spring                 | 5 - 21             |
| B470 4515 | Pressure Plate                     | 5 - 18             |
| B470 4521 | Paper Feed Table                   | 3 - 12             |
| B470 4522 | Paper Feed Table - Back            | 3 - 9              |
| B470 4523 | Decal - Paper Feed Table           | 15 - 1             |
| B470 4523 | Decal - Paper Feed Table           | 3 - 8              |
| B470 4531 | Upper Front Cover                  | 3 - 6              |
| B470 4541 | Upper Rear Cover                   | 3 - 13             |
| B470 4551 | Front Door                         | 3 - 5              |
| B470 4552 | Door Hinge                         | 3 - 3              |
| B470 4557 | Door Stopper                       | 3 - 4              |
| B470 4561 | Middle Rear Cover                  | 3 - 14             |
| B470 4571 | Lower Cover                        | 3 - 2              |
| B470 4572 | Lower Cover Bracket                | 3 - 1              |
| B470 4581 | Base Cover                         | 3 - 15             |
| B470 4591 | Spacer Cover                       | 3 - 7              |
| B470 4596 | Right Front Spacer Cover           | 3 - 17             |
| B470 4597 | Right Rear Spacer Cover            | 3 - 18             |
| B470 5120 | X/O MB1                            | 13 - 26            |
| B470 5121 | Main Control Board                 | 13 - 26            |
| B470 5165 | Gasket - Connector Bracket         | 9 - 27             |
| B470 5170 | Connector Bracket                  | 9 - 26             |
| B470 5200 | Interface Harness                  | 9 - 25             |
| B470 5210 | Main Motor Harness                 | 13 - 28            |
| B470 5220 | X/O MB2                            | 13 - 27            |
| B470 5222 | Main Sensor Harness                | 13 - 27            |
| B470 5230 | Relay Harness                      | 9 - 11             |
| B470 5240 | Relay Harness                      | 9 - 12             |

| Part No.  | Description                     | Page and Index No. |
|-----------|---------------------------------|--------------------|
| B470 5250 | Relay Harness                   | 11 - 11            |
| B470 5260 | Relay Harness - Paper Size      | 5 - 8              |
| B470 5270 | Long Relay Harness - Paper Size | 3 - 11             |
| B470 5280 | X/O MB2                         | 7 - 13             |
| B470 5281 | Harness - Paper Near End        | 7 - 13             |
| B470 5301 | Base Bracket                    | 13 - 19            |
| B470 5500 | Stepper Motor                   | 13 - 25            |
| B470 5510 | Stepper Motor - Paper Feed      | 13 - 13            |
| B470 7101 | Decal - Side Fence              | 5 - 13             |
| B470 7101 | Decal - Side Fence              | 15 - 2             |
| B470 7102 | Decal - Q1                      | 11 - 8             |
| B470 7102 | Decal - Q1                      | 15 - 5             |
| B470 7103 | Decal - Q2                      | 11 - 17            |
| B470 7104 | Decal - Misfeed Removal         | 5 - 16             |
| B470 7104 | Decal - Misfeed Removal         | 15 - 3             |
| B470 7105 | Decal - Misfeed Removal         | 11 - 1             |
| B470 7105 | Decal - Misfeed Removal         | 15 - 4             |

| Part No.  | Description                      | Page and Index No. |
|-----------|----------------------------------|--------------------|
| A247 2900 | O/O MB4                          | 9 - 16             |
| A294 6700 | Torque Limiter - 53mnm           | 9 - 16             |
| A300 3151 | Support Bracket                  | 13 - 18            |
| A376 1295 | Spacer - M6x10x5                 | 11 - 24            |
| A628 1225 | Bushing - 8mm                    | 7 - 17             |
| A697 1125 | Stepped Screw - Lever            | 13 - 21            |
| A697 1125 | Stepped Screw - Lever            | 11 - 23            |
| A697 1128 | Joint Lever                      | 11 - 22            |
| A806 1292 | Feed Belt Bracket                | 7 - 20             |
| A806 1293 | Feed Belt Drive Roller           | 7 - 18             |
| A806 1294 | Feed Belt Driven Roller          | 7 - 23             |
| A806 1295 | Feed Belt                        | 7 - 22             |
| A806 1298 | Transport Belt Roller Shaft      | 7 - 24             |
| A806 1321 | Pickup Roller                    | 7 - 4              |
| A806 1342 | Base Lever                       | 9 - 3              |
| A806 2151 | Timing Pulley - T19/Z23 S2M/M0.6 | 7 - 9              |
| A806 2153 | Timing Pulley - T27 S2M          | 7 - 1              |
| A806 2271 | Gear - Z18                       | 7 - 10             |
| A806 2281 | Gear - Z47                       | 9 - 23             |
| A806 2283 | Gear - Z20/Z47                   | 13 - 4             |
| A806 2285 | Gear - Z20/Z47                   | 13 - 2             |
| A806 2287 | Gear - Z20/Z47                   | 13 - 3             |
| A806 2362 | Base Bracket                     | 13 - 7             |
| A806 2911 | Stepper Motor Ass'y - DC 13W     | 13 - 8             |
| A806 4117 | Timing Belt - B40S2M158          | 13 - 6             |
| A806 4118 | Timing Belt - B40S2M148          | 7 - 2              |
| A806 4261 | Spring Belt Guide Roller         | 7 - 21             |
| A858 6022 | Decal Blue                       | 7 - 5              |
| A859 2241 | Reverse Roller                   | 9 - 15             |
| A859 4665 | Gear - 16Z                       | 5 - 11             |
| B301 1155 | Separation Support Pad           | 9 - 9              |
| B301 2221 | Gear - 31Z                       | 9 - 22             |
| B301 2222 | Gear - 20Z                       | 13 - 14            |
| B312 1524 | Motor Bracket                    | 13 - 24            |
| B312 1605 | Tightener                        | 13 - 22            |

| Part No.  | Description             | Page and Index No. |
|-----------|-------------------------|--------------------|
| B352 1607 | Timing Pulley - T20-S3M | 11 - 21            |
| B352 2620 | Lower Transport Roller  | 11 - 15            |
| B387 4646 | Side Fence Pad          | 5 - 9              |
| B387 4661 | Front Rack - Side Fence | 5 - 2              |
| B408 1413 | Coupling Stay           | 11 - 14            |

| Part No.  | Description                    | Page and Index No. |
|-----------|--------------------------------|--------------------|
| AA06 3315 | Spring - Belt Drive Shaft      | 7 - 27             |
| AA06 3529 | Pressure Spring - 14.5mm       | 11 - 6             |
| AA08 0242 | Bushing - 4mm                  | 11 - 25            |
| AA08 0242 | Bushing - 4mm                  | 5 - 20             |
| AA13 2013 | Spacer                         | 7 - 26             |
| AA13 2171 | Spacer - 6x20x1                | 7 - 3              |
| AA14 3062 | Shoulder Screw - M4            | 3 - 16             |
| AF02 0501 | Transport Roller               | 11 - 16            |
| AF02 2106 | Driven Roller                  | 11 - 26            |
| AF02 2106 | Driven Roller                  | 5 - 19             |
| AF02 2147 | Driven Roller                  | 11 - 5             |
| AG07 0014 | Magnet Catch                   | 11 - 4             |
| AG07 0014 | Magnet Catch                   | 5 - 15             |
| AW01 0057 | Pegistration Sensor            | 9 - 13             |
| AW01 0057 | Pegistration Sensor            | 5 - 4              |
| AW01 0087 | Photo Sensor - Ass'y           | 3 - 10             |
| AW02 0006 | Photointerruptor - EE-SX460-P2 | 7 - 14             |
| AW02 0086 | Photointerruptor               | 7 - 12             |
| AW02 0086 | Photointerruptor               | 9 - 6              |
| AW02 0086 | Photointerruptor               | 11 - 13            |
| AW02 0086 | Photointerruptor               | 5 - 7              |
| AW02 0095 | Photointerruptor               | 11 - 10            |
| GB03 0032 | Timing Pulley - T28-S2M        | 11 - 7             |

| Part No.   | Description                      | Page and Index No. |
|------------|----------------------------------|--------------------|
| 0450 3008N | Tapping Screw - M3x8             | 5 -101             |
| 0450 3008N | Tapping Screw - M3x8             | 3 -101             |
| 0450 4008N | Tapping Screw - 4x8              | 3 -103             |
| 0450 4008N | Tapping Screw - 4x8              | 5 -104             |
| 0451 3006N | Tapping Screw - M3x6             | 3 -104             |
| 0451 3006N | Tapping Screw - M3x6             | 13 -102            |
| 0451 3006N | Tapping Screw - M3x6             | 5 -103             |
| 0451 3006N | Tapping Screw - M3x6             | 11 -101            |
| 0451 3006N | Tapping Screw - M3x6             | 9 -101             |
| 0451 3008N | Tapping Screw - M3x8             | 3 -102             |
| 0453 3006N | Tapping Screw - M3x6             | 13 -101            |
| 0632 0120G | Parallel Pin - 2x12              | 9 -106             |
| 0632 0120G | Parallel Pin - 2x12              | 7 -101             |
| 0632 0120G | Parallel Pin - 2x12              | 13 -103            |
| 0632 0140G | Parallel Pin                     | 13 -104            |
| 0632 0140G | Parallel Pin                     | 9 -102             |
| 0720 0040E | Retaining Ring - M4              | 7 -102             |
| 0720 0040E | Retaining Ring - M4              | 13 -108            |
| 0720 0040E | Retaining Ring - M4              | 9 -103             |
| 0720 0060E | Retaining Ring - M6              | 9 -104             |
| 0720 0060E | Retaining Ring - M6              | 7 -103             |
| 0720 0060E | Retaining Ring - M6              | 13 -105            |
| 0741 3506  | Ball Bearing - 6x12x4 mm         | 9 -108             |
| 0741 3706  | Ball Bearing - 6x10x3            | 9 -107             |
| 0741 3808  | Ball Bearing - 8x16x5mm          | 9 -105             |
| 0741 3808  | Ball Bearing - 8x16x5mm          | 13 -106            |
| 0802 5276  | Tapping Screw With Washer - M3x6 | 13 -107            |
| 0802 5276  | Tapping Screw With Washer - M3x6 | 9 -109             |
| 0805 0089  | Retaining Ring - M4              | 11 -102            |
| 0805 0089  | Retaining Ring - M4              | 13 -109            |
| 1105 0489  | Harness Clamp - LWS 1316         | 13 -113            |
| 1105 0511  | Harness Clamp - LWS-0306ZC       | 11 -103            |
| 1105 0511  | Harness Clamp - LWS-0306ZC       | 5 -102             |
| 1105 0511  | Harness Clamp - LWS-0306ZC       | 13 -111            |
| 1105 0516  | Clamp                            | 9 -110             |

| Part No.  | Description              | Page and Index No. |
|-----------|--------------------------|--------------------|
| 1105 0516 | Clamp                    | 13 -112            |
| 1105 0518 | Edge Saddle - LES-1010   | 13 -110            |
| 1607 0623 | Ferrite Core TFC16-8-13  | 13 -115            |
| 1607 0704 | Ferrite Core - ESD-SR-25 | 13 -114            |

| Part No.  | Description                | Page and Index No. |
|-----------|----------------------------|--------------------|
| 5053 0447 | Bushing - 6mm              | 7 - 6              |
| 5053 0447 | Bushing - 6mm              | 9 - 4              |
| 5053 0447 | Bushing - 6mm              | 11 - 2             |
| 5304 1639 | Bushing - 8mm              | 7 - 16             |
| 5304 1639 | Bushing - 8mm              | 9 - 24             |
| 5442 4121 | Spring - Oil Blade         | 13 - 20            |
| 5446 2824 | Screw - Duplex Guide Plate | 5 - 1              |
| 5447 2681 | Snap Ring                  | 7 - 7              |
| 5447 2681 | Snap Ring                  | 9 - 14             |

| Part No. | Description | Page and Index No. |
|----------|-------------|--------------------|
|          |             |                    |